

# Sauna control unit EMOTEC HCS 9003

For Finnish sauna and humidity operation.

Coloured light control, 2nd sensor and humidity sensor optional.

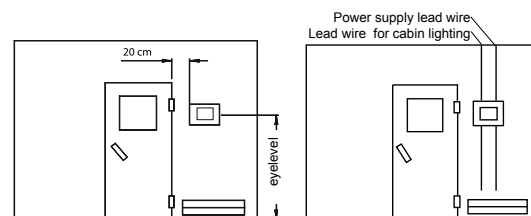
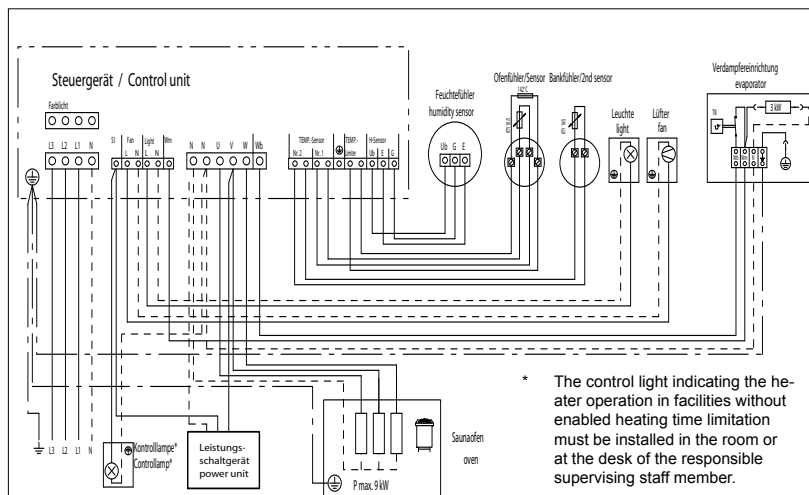
- Casing: injection moulded plastic upper and lower part
- Control buttons: raised, with epoxy abrasion protection
- Display: jumbo LCD display, with high contrast backlighting
- Control: digital two-point control
- 2nd sensor: optional Art.No. 94.4389
- Heating time shut-off: 6 hours, 12 hours or unlimited for commercial use
- Humidity control: proportional to time or optional with humidity sensor (ArtNo. 90.9479)
- Reheating: 0 - 60 mins after humidity program
- Water level monitoring: automatic shut down after 2 mins lack of water
- Coloured light operation: max. 4 x 100W (optional with module for coloured light control, ArtNo. 94.2761 or 944286)



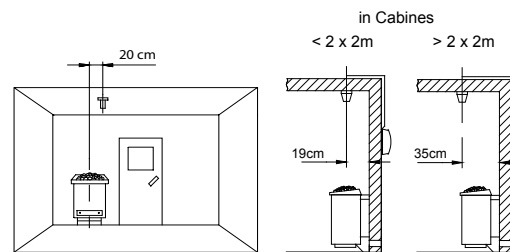
MADE IN GERMANY

Temperature and humidity preselection, fault signalling. Connection for dimmable cabin light and fan. Safety temperature limiter 142 °C. Light and fan are fuse-protected internally. With switch-off.

## Connection diagram



## Mounting the sensor



Art. No.	electr. Connection / capacity	Connection for power switch gear to max. 36 kW	Time preselection	Temperature control range in sauna operation	Heating time shut-off	Humidity control	Temperature control range in humidity operation	Switching on/off cabin light	Switching on/off ventilator	Dimensions H/W/D in cm	Environmental temperatures	Weight without package approx.
94.4415	400 V 3N AC 50 Hz max. 9 kW ohm resistive load in humidity operation 6 kW + vaporizer 3 kW	yes	24 h in real time	30 - 110° C	6 h 12 h unlimited	proportional to time from 0 - 100 % optional with humidity sensor	30 - 70° C	max. 200 W max. 500 mA only ohm resistive load	max. 200 W max. 500 mA only fan without capacitor	24/23/7	-10 bis +35° C	1,5 kg

Subject to technical modifications