

HELO

SEIDANKIVI

SAUNAHEATER

1106 - 902

1106 - 1052

1106 - 1202

1106 - 1502

CONTROL PANEL

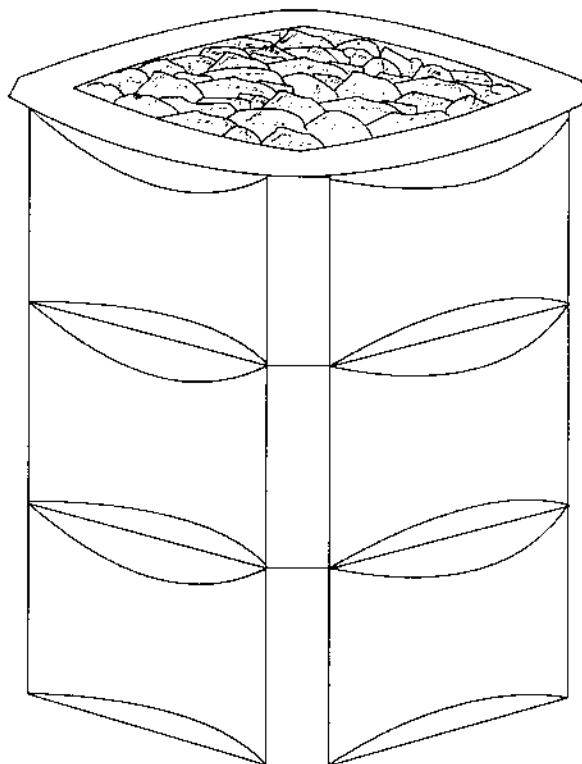
1601 - 12

1601 - 13

CONTACTOR BOX

2005 - 4

2005 - 4



BEFORE OPERATION

1. Read the user's manual carefully through.
2. Wash the stones with water and pile up the stones into the heater.
3. Pre-heat the sauna heater with full effect at least for 3 hours. During this pre-heating all the possible will burn off. If there is still odour in the sauna room, you need to keep the heat on for a longer time. Don't forget to ventilate the room thoroughly. Door or window may not be left open during the heating.
4. Enjoy your sauna bath with the new heater.
5. Should there be any trouble, please contact your closest dealer.

USING

Before you start to install and use the sauna heater check the following:

- that you have got all the parts needed.
- check that the voltage of the heater and the control box is the right one and that the control box suits your heater.
- check that the effect of the heater suits your sauna. You must not exceed or go below the volumes mentioned in table 1.
- look at the installation distances in fig. 2 and 4. You have to follow these, otherwise it can cause a burn.
- study these installation- and using instructions carefully.

NOTE!

Seidankivi sauna heater weights total about 400 kgs when the stones are in. Ensure before installing the heater that the floor construction of the sauna room endures this weight.

HOW TO CHOOSE THE EFFECT OF THE HEATER.

Noticing the volume of the sauna you choose the effect of the heater according to table 1.

The volumes mentioned in table 1 are valid under the assumption that the sauna is well insulated. If there are walls of bricks or concrete in the sauna you have to add to the volume about 1,5m³ for every brick- or concrete wall m² and then you choose the effect of the heater according to the composed volumes.

MOUNTING OF THE SAUNA HEATER

The sauna heaters are freestanding models and these heaters must be firmly fastened to the floor by screwbolts through two of the feet. When fastening the heater to the floor please follow the requirements about the minimum distances to combustible material indicated on the name plate of the heater and in table 1. fig. 2 and 4. The sauna heater can be placed on a wooden floor. Do not protect the wall behind the heater with for instance asbest- or eternite plates, as these may cause a too high temperature increase in the wall.

Do not place the sauna heater in a nisch, and you must not have a compact guard rail around the heater. Draught from door, vents etc. should be avoided as this effects the thermostat.

MOUNTING OF THE CONTROL BOX

The control box must be installed in a dry place outside the sauna room. The sensor unit should be fastened to the wall in the sauna according to fig 2 and 4. please follow the measurements mentioned in fig 2 and 4. otherwise it may cause a burn.

SENSOR UNIT

The sensor unit should be placed in accordance with the measures stipulated in fig. 2 and 4.

The sensor unit is provided with long heat resisting (T170 OC) 4x0,5mm cables. These cables can be extended by a normal weak current cables. For connection of the sensor unit control panel, please see fig. 8.

GUARD RAIL

If you put a guard rail around the heater you have to note the minimum distances mentioned in table 1.

CONNECTION

The electrical installation of the sauna heater and the control panel must be made by a qualified electrician according to the requirements. The principal connection will be made in accordance with fig. 6. The required wiring diagrams are inside the heater and the control panel. The heater can be connected by using a rupper wire HO7RN-F, table 1. the connection box must be a splash water proof construction and its height from the floor may not be higher than 50 cm. If the connection - and installationwires come inside the sauna or inside the walls of the sauna higher than 100cm from the floor they must loaded take at least 170 °C (for instance HO7SS-K4G) All electrical appliances that are installed higher than 100cm from the sauna floor must be accepted for use in 125 °C surrounding temperatures (marking T 125).

SAUNA STONES

Since the sauna stones may be dusty, we recommend that they are rinsed before being placed in the rock compartment. Put the largest stones at the bottom. Do not pack the stones tight but place them to allow good air circulation. To prevent damage to the sauna unit, the stones must be replaced if they begin to flake.

THE VENTILATION OF THE SAUNA

The ventilation of the sauna must be sufficient. In a private sauna the air should be changed 6 times an hour. This can be achieved by a vent under the heater from an adjacent area. The diameter of the vent should be at least 6cm. The exhaust must be situated lower than the upper benches as far as possible from the heater and about 50-60cm higher than the fresh air vent. The exhaust must be twice the size of the fresh air vent. From the exhaust the consumed air will be lead upwards to the ventilation opening, which must be at the level of the ceiling. In order to facilitate the ventilation of the sauna after the bathing there must be a ventilator at the ventilation opening. This ventilator must be shut during the heating of the sauna and during the bathing. The exhaust pipe can also in order to save place be placed in a corner under the wood framing.

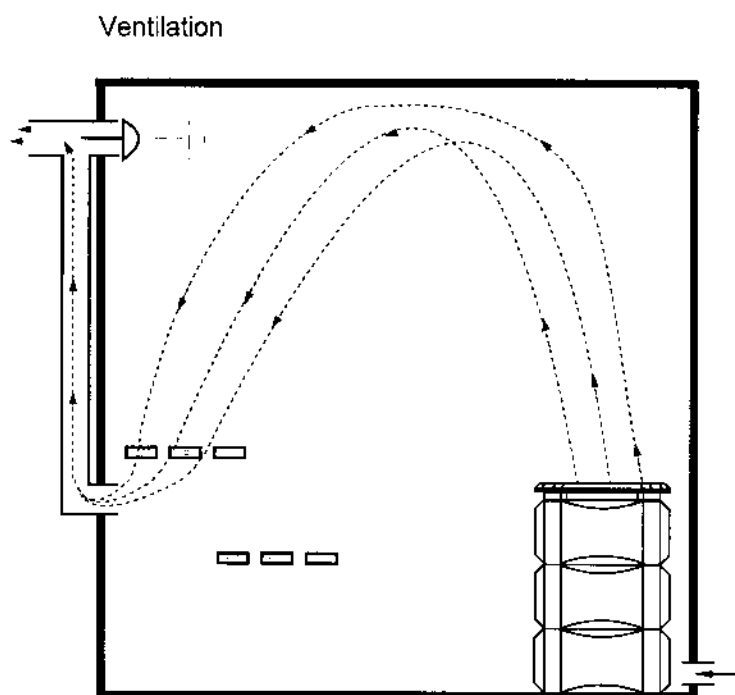
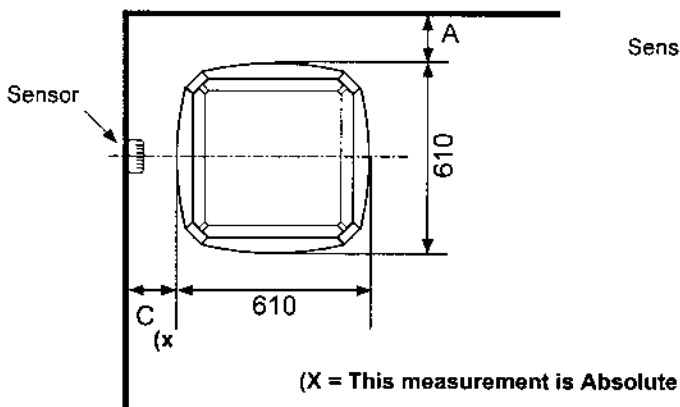


Table 1

HEATER			SAUNA			MINIMUM DISTANCES			
Malli	Teho	Group Effekt	Volume		Height	From heater to			
			Min.	Max.		side-wall	Ceiling	guard rail and upper bench	Back side
					H min	A	F	B	C
	kW	kW	m ³	m ³	mm	mm	mm	mm	mm
1106 - 902	9,0	9,0	8	13	1900	40	1090	40	40
1106 - 1052	10,5	10,5	9	15	1900	40	1090	40	40
1106 - 1202	12,0	12,0	10	18	2100	40	1290	65	40
1106 - 1502	15,0	15,0	14	24	2100	40	1290	65	40

Fig 2.



Measurement mm

Fig 4.

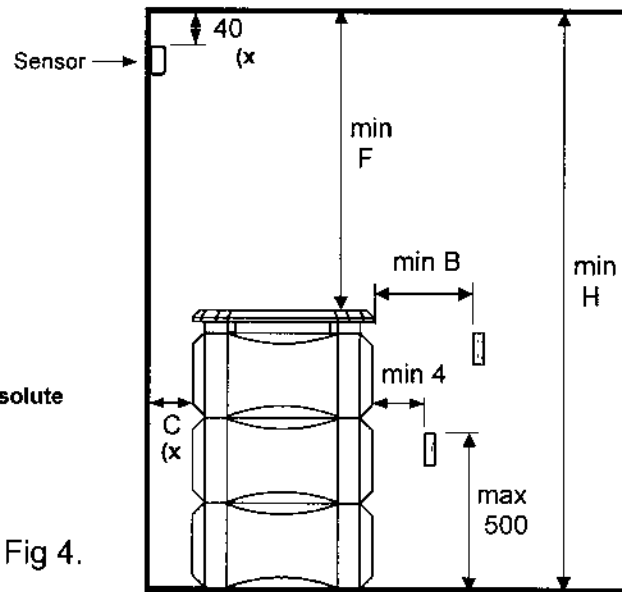


Fig 3.

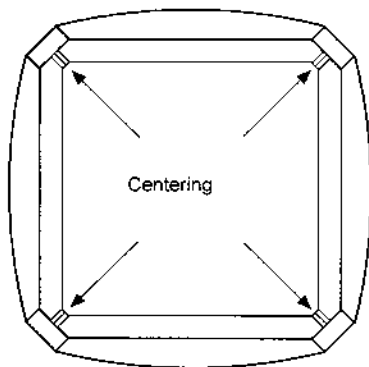
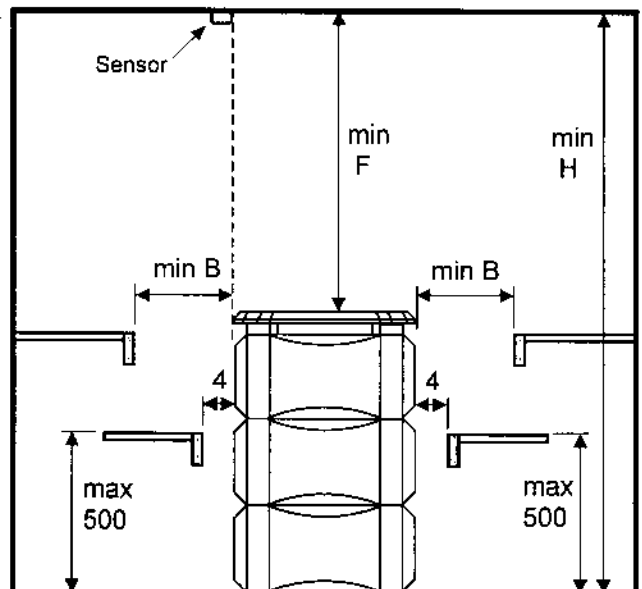


Fig 4.

The heater has to be in the center of the stone shroud. The centering bows help you with this work.

Installing the heater in the middle of the sauna

Fig 5.



When you have mounted two rows of stones, lift the heater into the middle of the stone shroud. The installation instruction for the stones is delivered in the stone package.

Plock diagram

Fig 6.

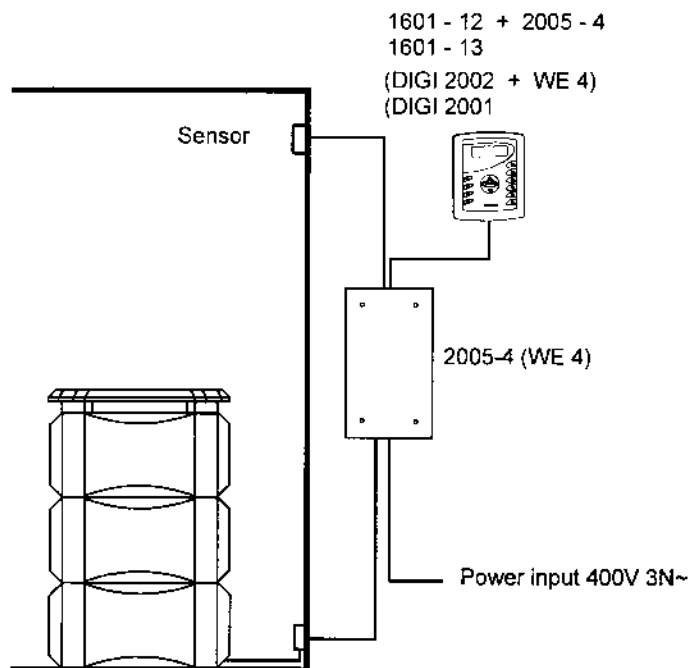
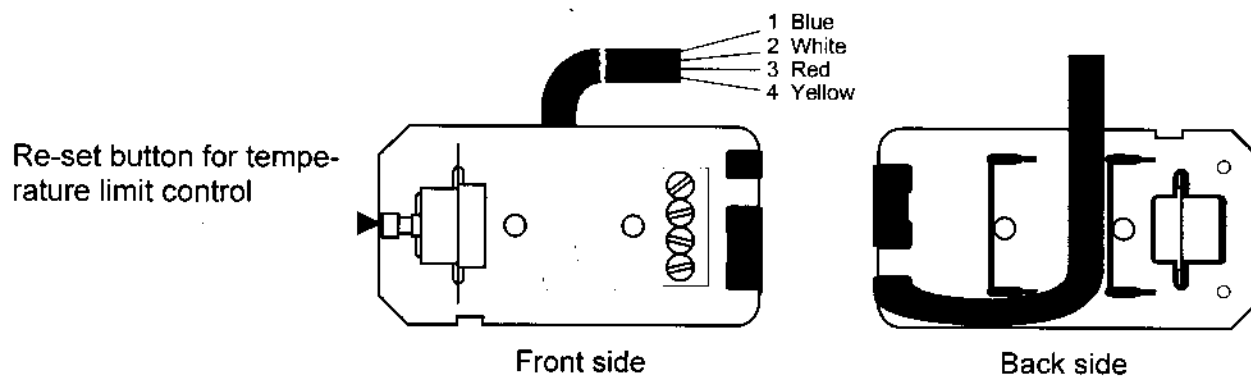


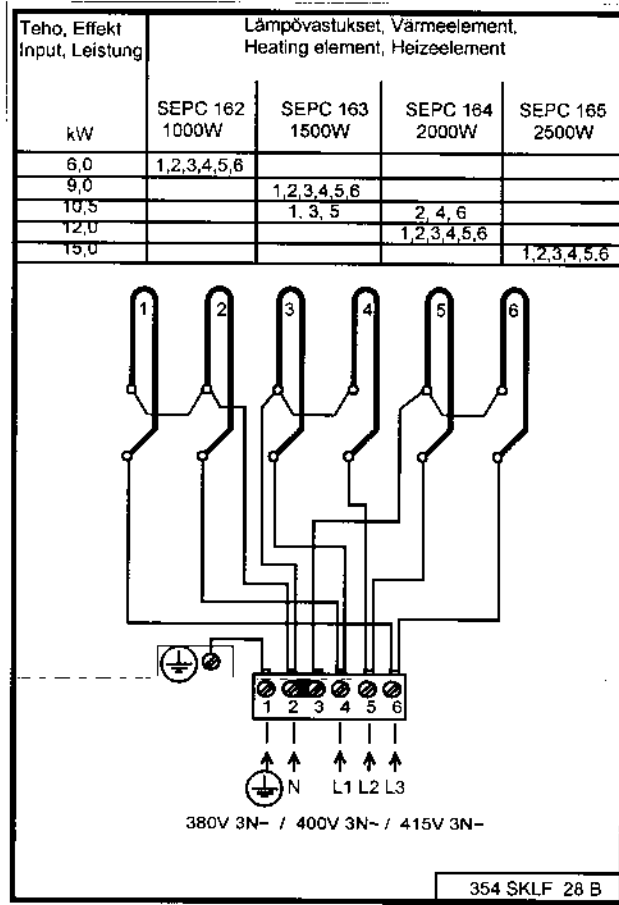
Table 2

Heater	Effect kW	fuse A	Heater cable size H07RN-F mm ²	Control panel and heater mm ²	Thermostat mm ²	Control unit
						1601-12 or 1601-13 mm ²
1106 - 902	9,0	3 x 16	5 x 2,5	5 x 2,5	4 x 0,25	10 x 0,25
1106 - 1052	10,5	3 x 16	5 x 2,5	5 x 2,5	4 x 0,25	10 x 0,25
1106 - 1202	12,0	3 x 20	5 x 4	5 x 4	4 x 0,25	10 x 0,25
1106 - 1502	15,0	3 x 25	5 x 6	5 x 6	4 x 0,25	10 x 0,25

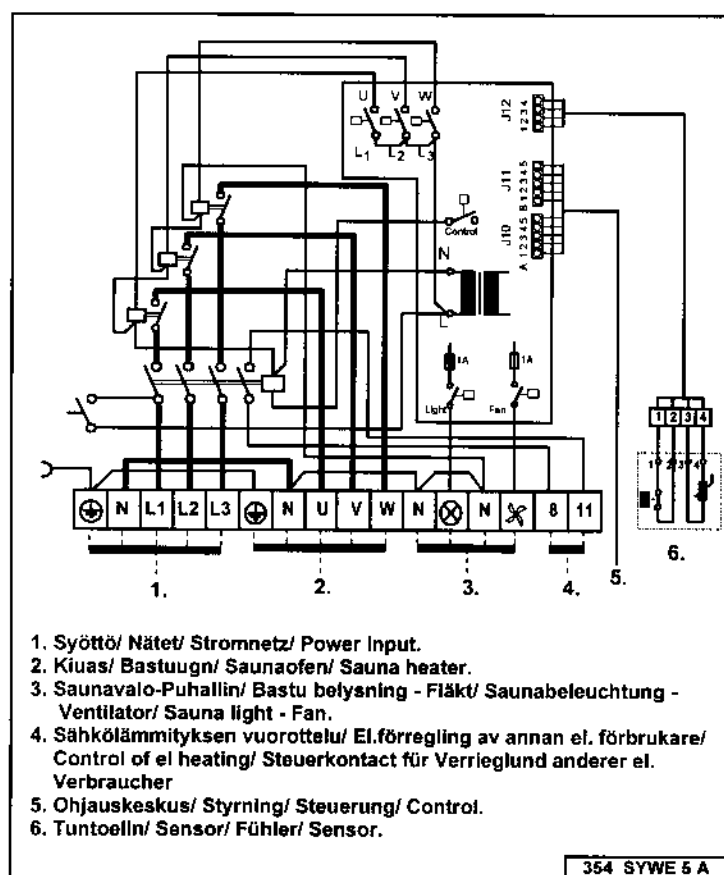
Fig 8.



1106 - ... (SKLF - ...)

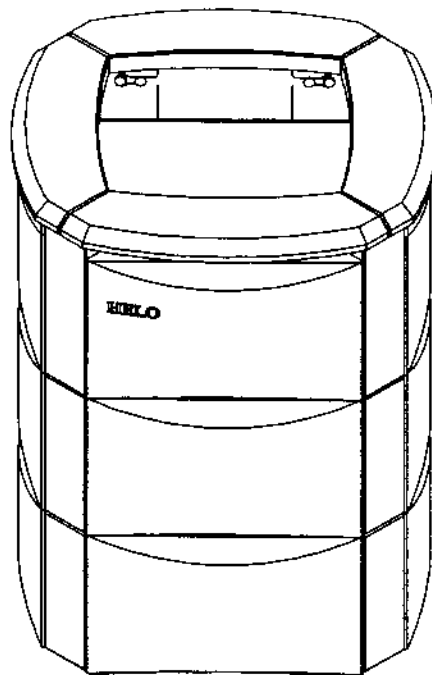


2005 - 4 (WE 4)



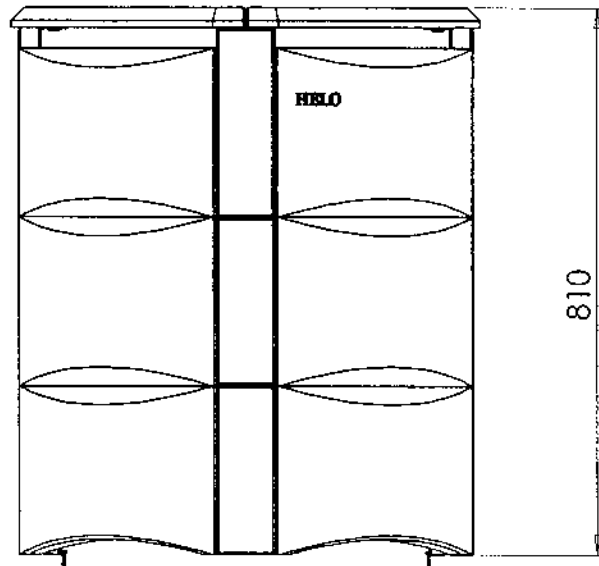
SEIDANKIVI- kiuas

Pystytyspiirustukset
Monteringsritningar
Construction drawings

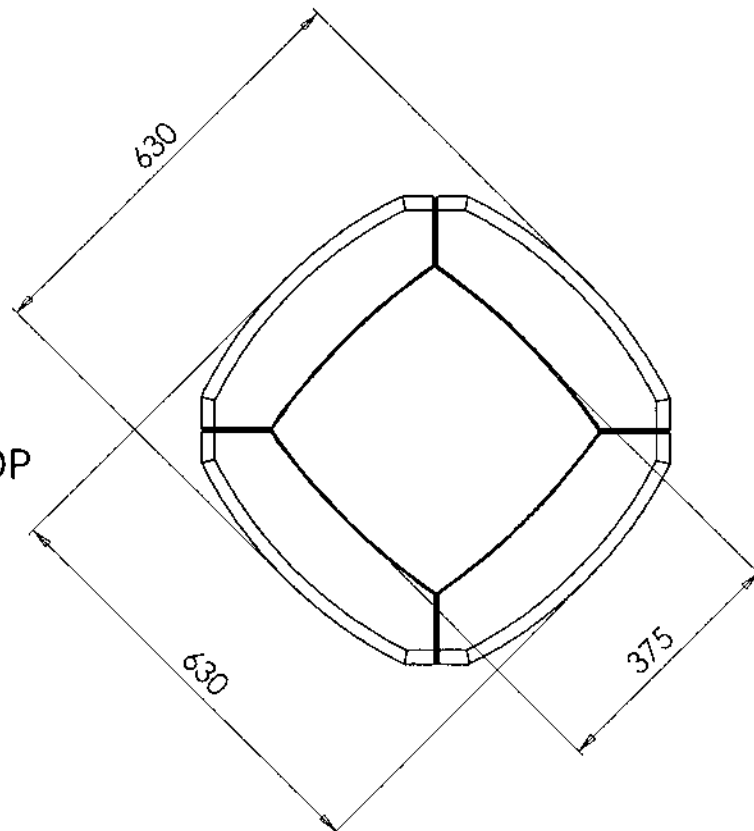


SEIDANKIVI- kiuas

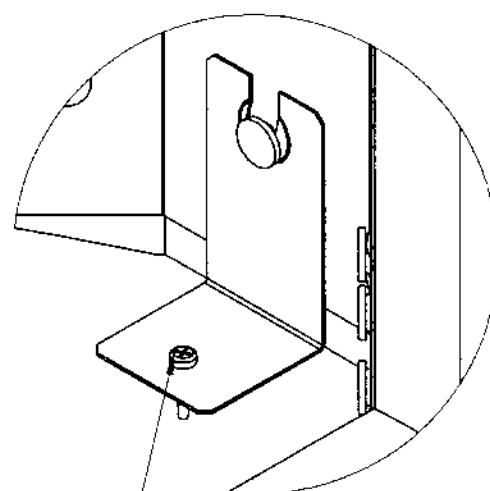
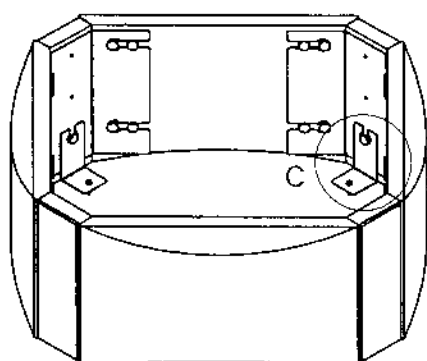
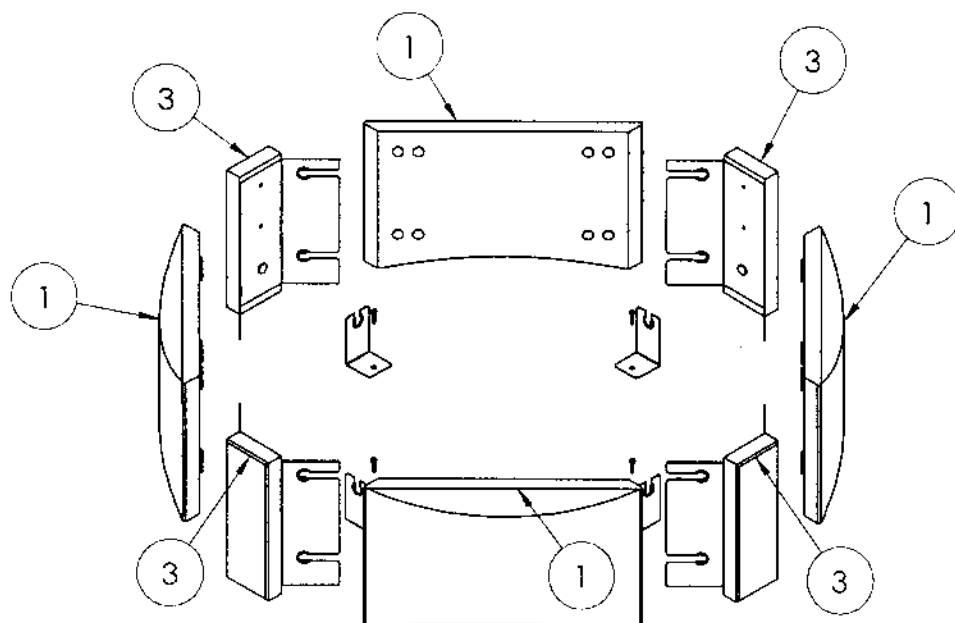
SIVULTA
FRÅN SIDAN
FROM THE SIDE



PÄÄLTÄ
UPPIFRÅN
FROM THE TOP



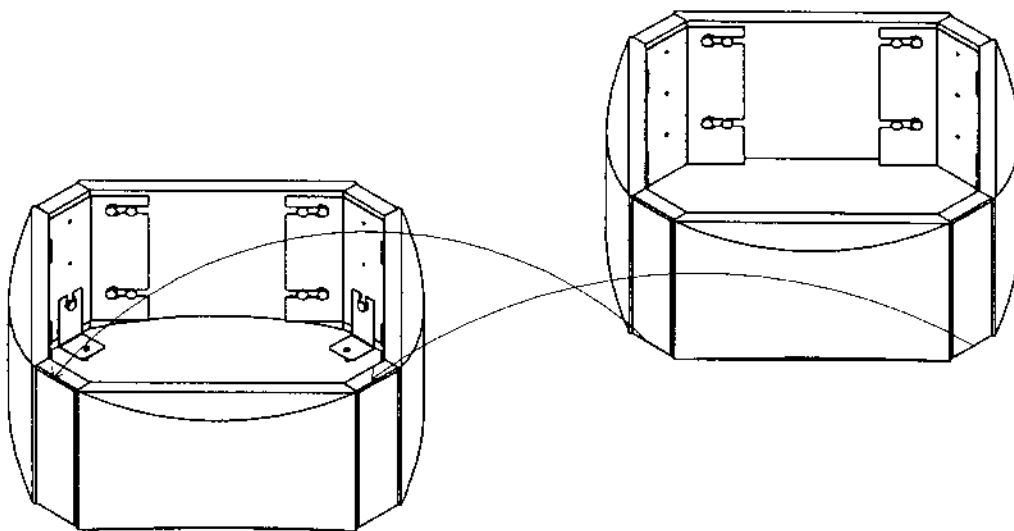
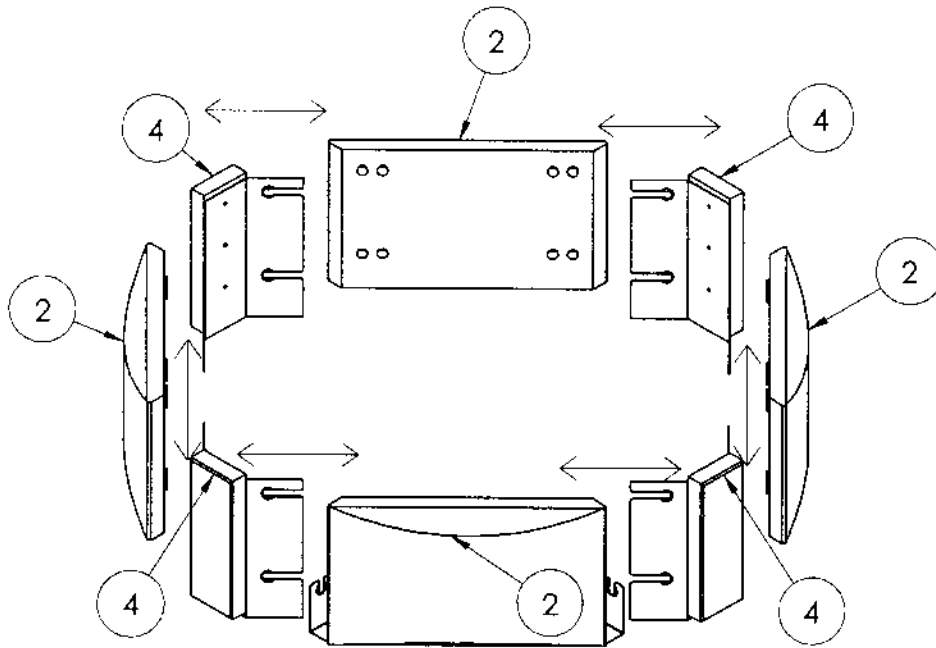
SEIDANKIVI- kiuas



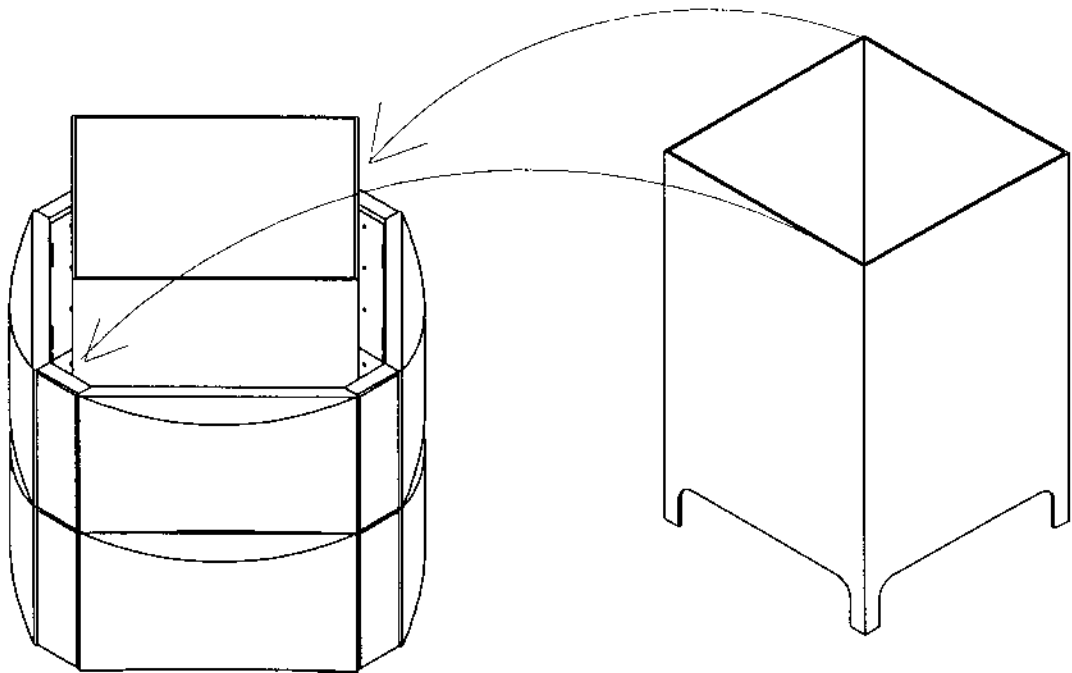
LATTIAKIINNITYS RUUVI
FÄSTSKRUV TILL GOLVET
FASTENING SCREW FOR THE FLOOR

C (1:2)

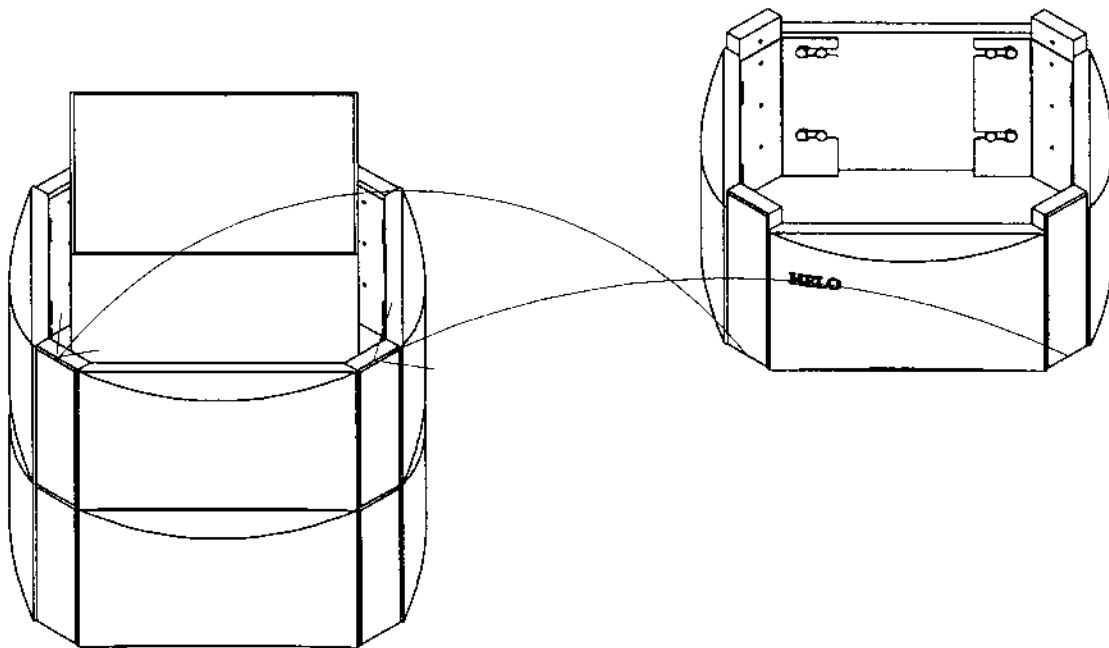
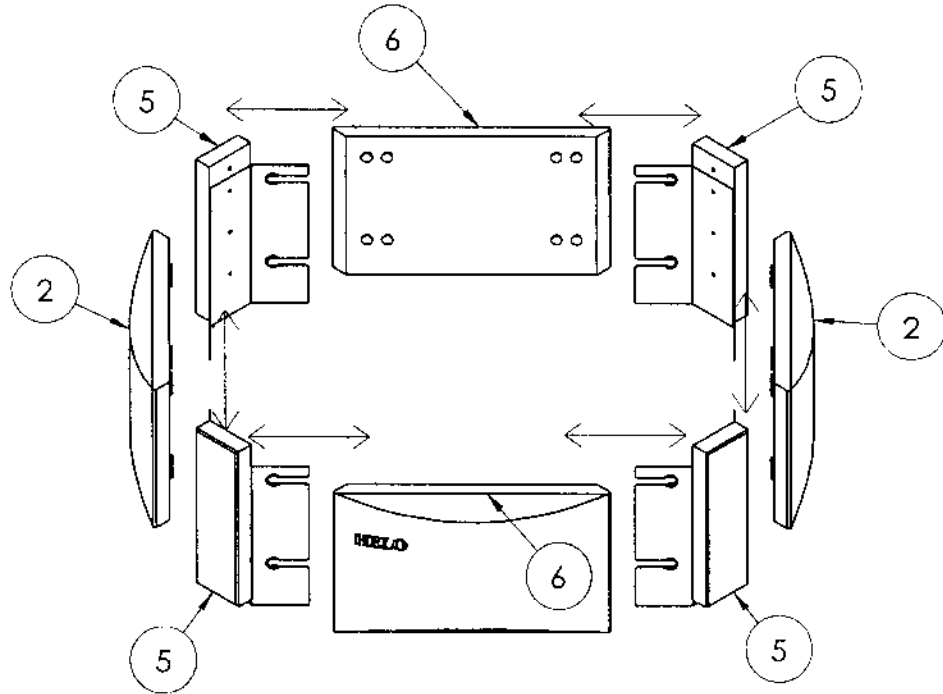
SEIDANKIVI- kiuas



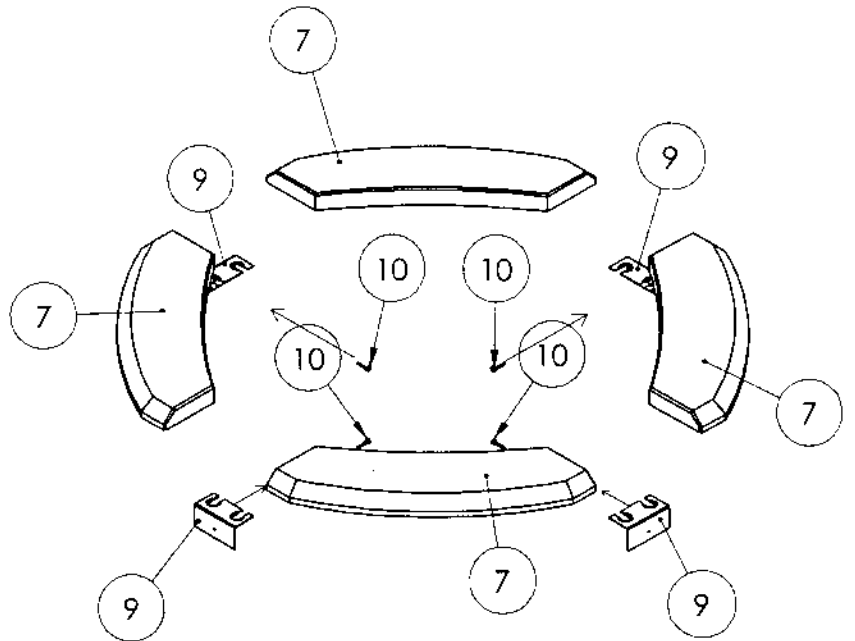
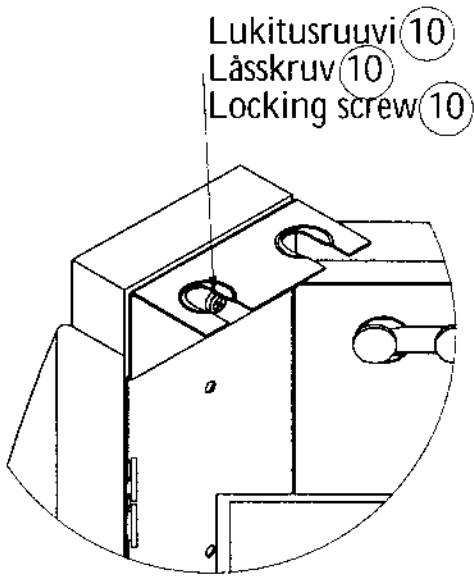
SEIDANKIVI- kiuas



SEIDANKIVI- kiuas



SEIDANKIVI- kiuas



B (1 : 2.5)

